



PRODUCT INFORMATION

G2T™ HIGH STRENGTH WOOD OPEN-WEB TRUSS



G2T™ STRONG

- Exceeds the capacities of standard commodity prefabricated wood trusses

G2T™ SIMPLE

- Utilizes standard wood framing details

G2T™ SUPPORTED

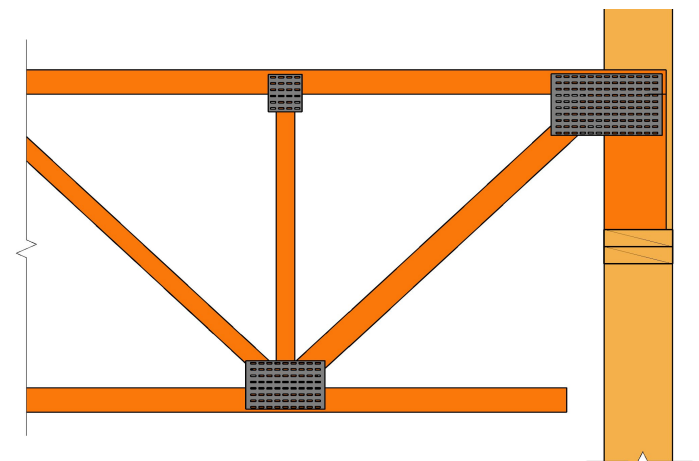
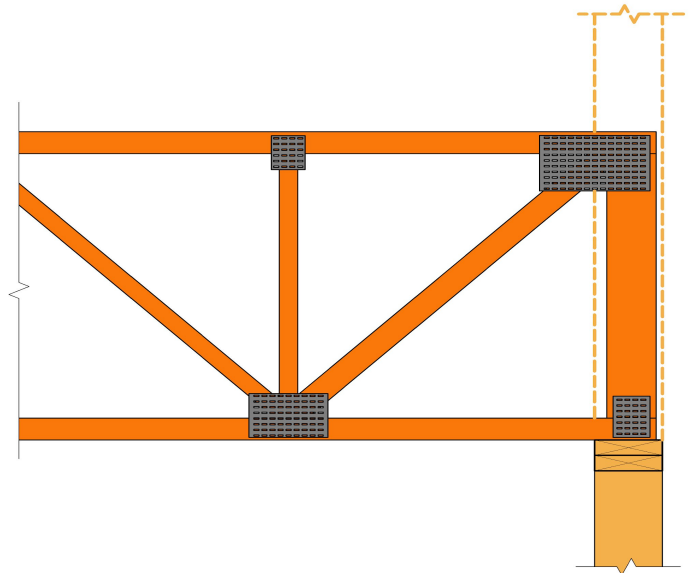
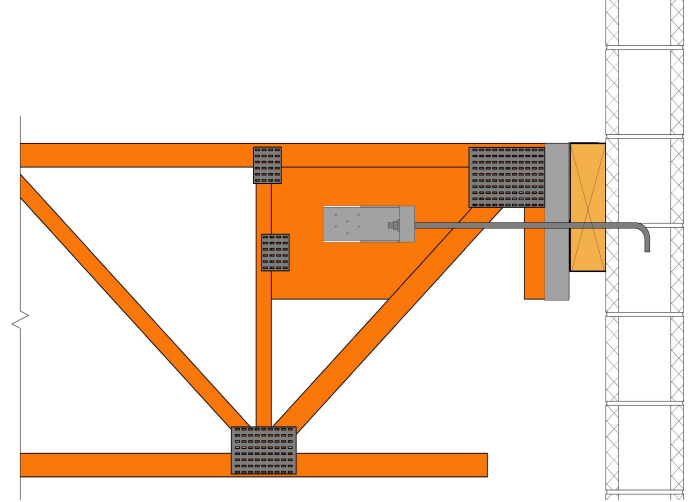
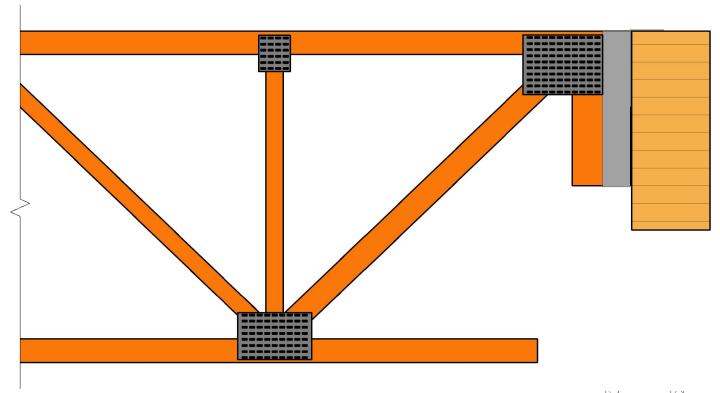
- Full design support including complete submittals for permitting without contractual obligation

G2T™ SUSTAINABLE

- Engineered Lumber as primary subcomponents

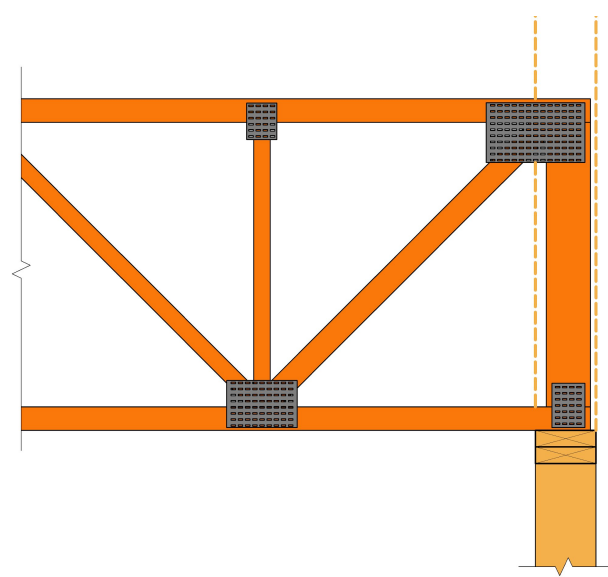
STRONG

- 3.5" Monolithic Chords in G2T-V products
- High-Load Axial Integration
- 3.5" x 3.5" Parapet Anchor
- Pocket Frame for Balloon

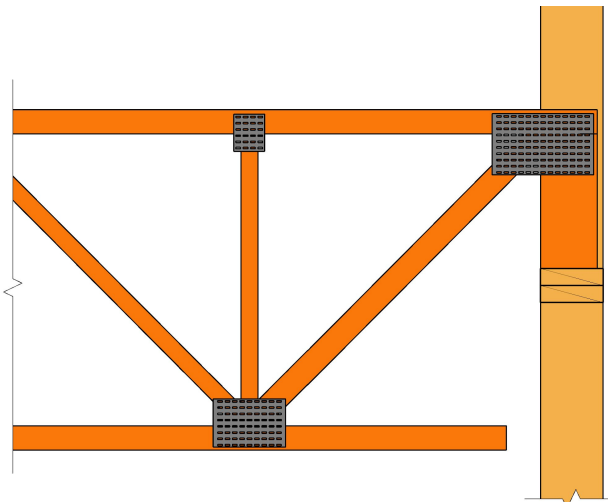


SIMPLE

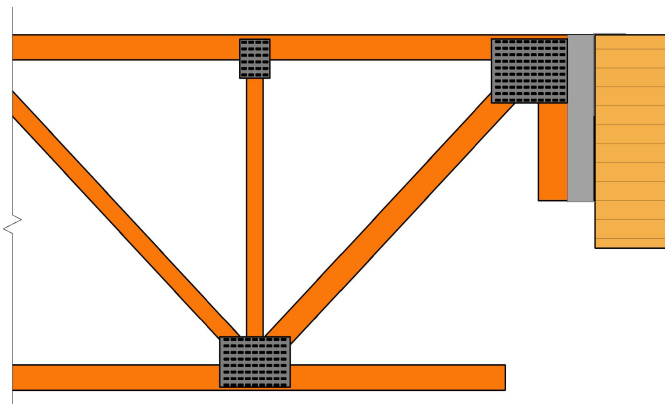
- Bottom Chord Bearing



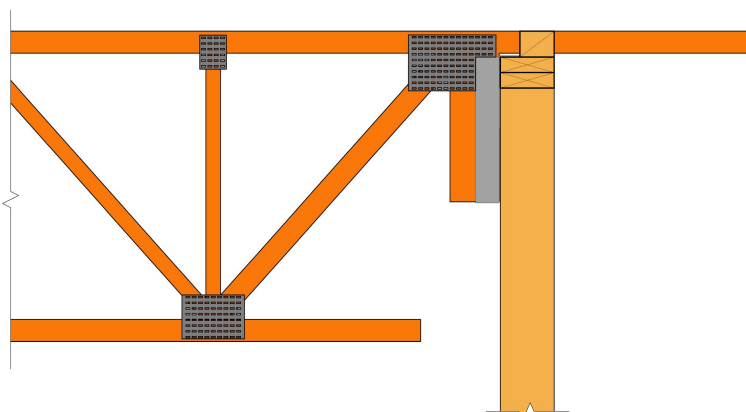
- Pocket Framed Bearing



- Flush Bearing

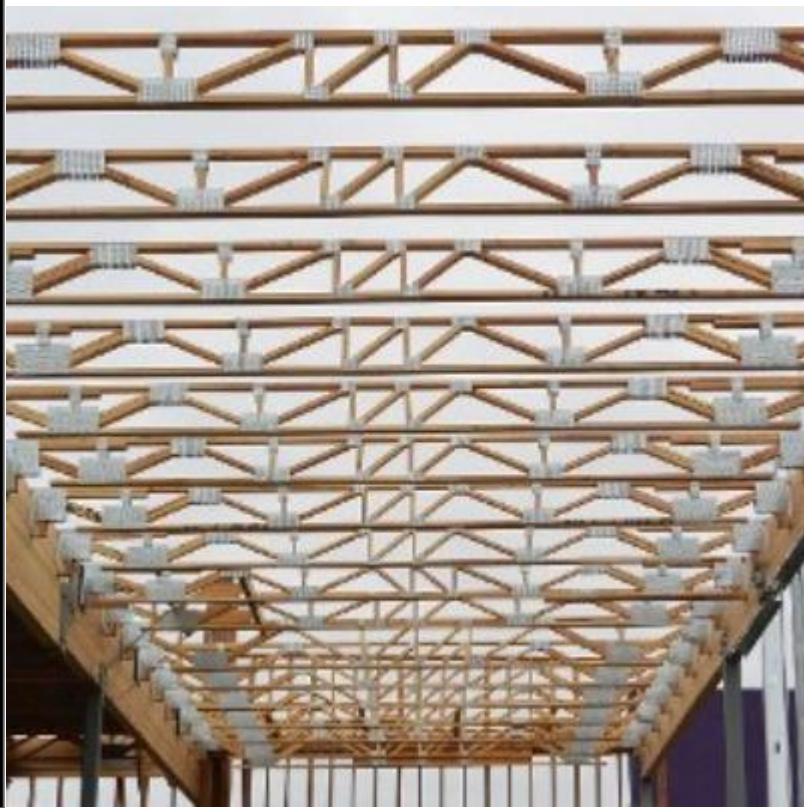
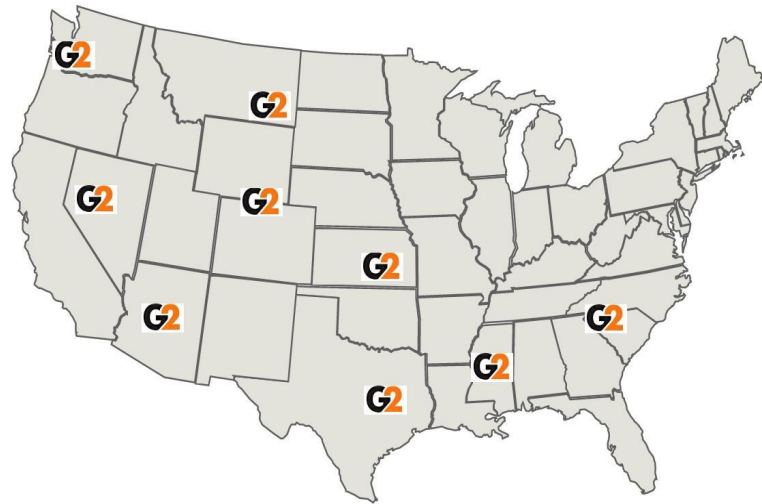


- Top Chord Extension



SUPPORTED

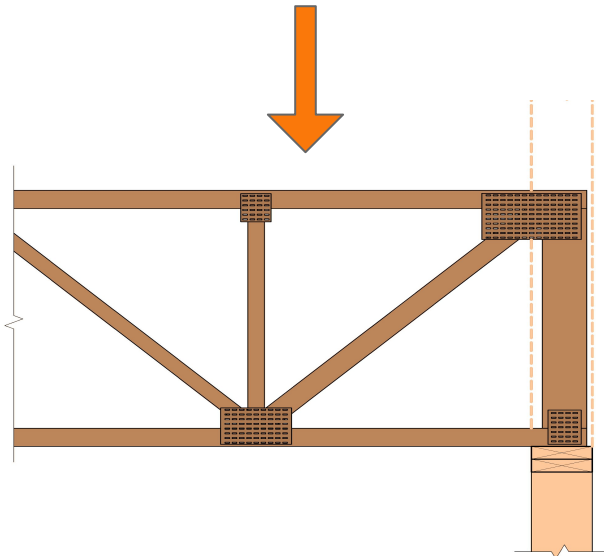
- Eliminate Deferred Submittals w/o contractual obligation
- SpecDraw: Pull permit w/o contractual obligation
- Production Drafting for EOR at fair market rates
- Industry Leading Production Lead Times
- 3rd Party Testing Support
- 24/7 Calculation Support
- 24/7 System Selection
- G2 Earns your Specification
- 9 Sales & Manufacturing Plants across the country
- Value Engineering to Other Systems



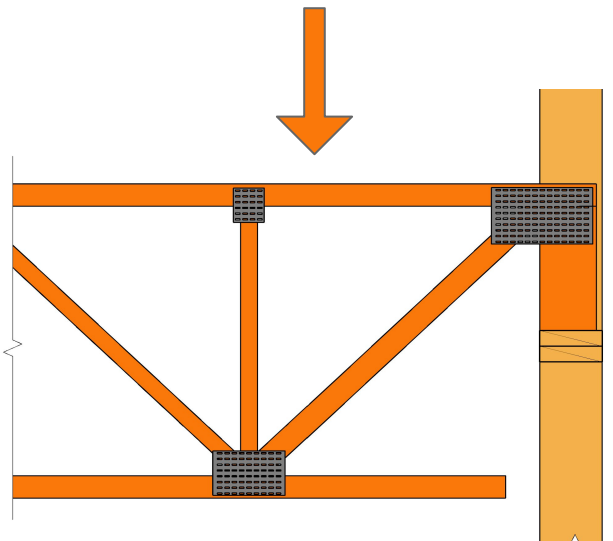
For Wood Framed Commercial Flat Roofs & Floors



Stock I-Joist (Up to 16" Depth)



G2T-S™ Open-Web Truss



G2T-V™ Open-Web Truss

BEST SYSTEM PROGRESSION

- Readily Available from multiple suppliers
- Non-proprietary
- Solid Sawn Chords
- Readily Available from 9 G2 plants across USA
- Ease of Running M-E-P
- Full Spec Support w/out contractual obligation
- LVL Chords
- Readily Available from 9 G2 plants across USA
- Ease of Running M-E-P
- Full Spec Support w/out contractual obligation



"DEFERRED SUBMITTALS ARE A SETUP FOR FAILURE"

-Every Truss Manufacturer, USA

Learn why at
G2National.com

Contact

Spec Support Agent

Mark Scambray

949-636-1255

Mark@SRGspec.com