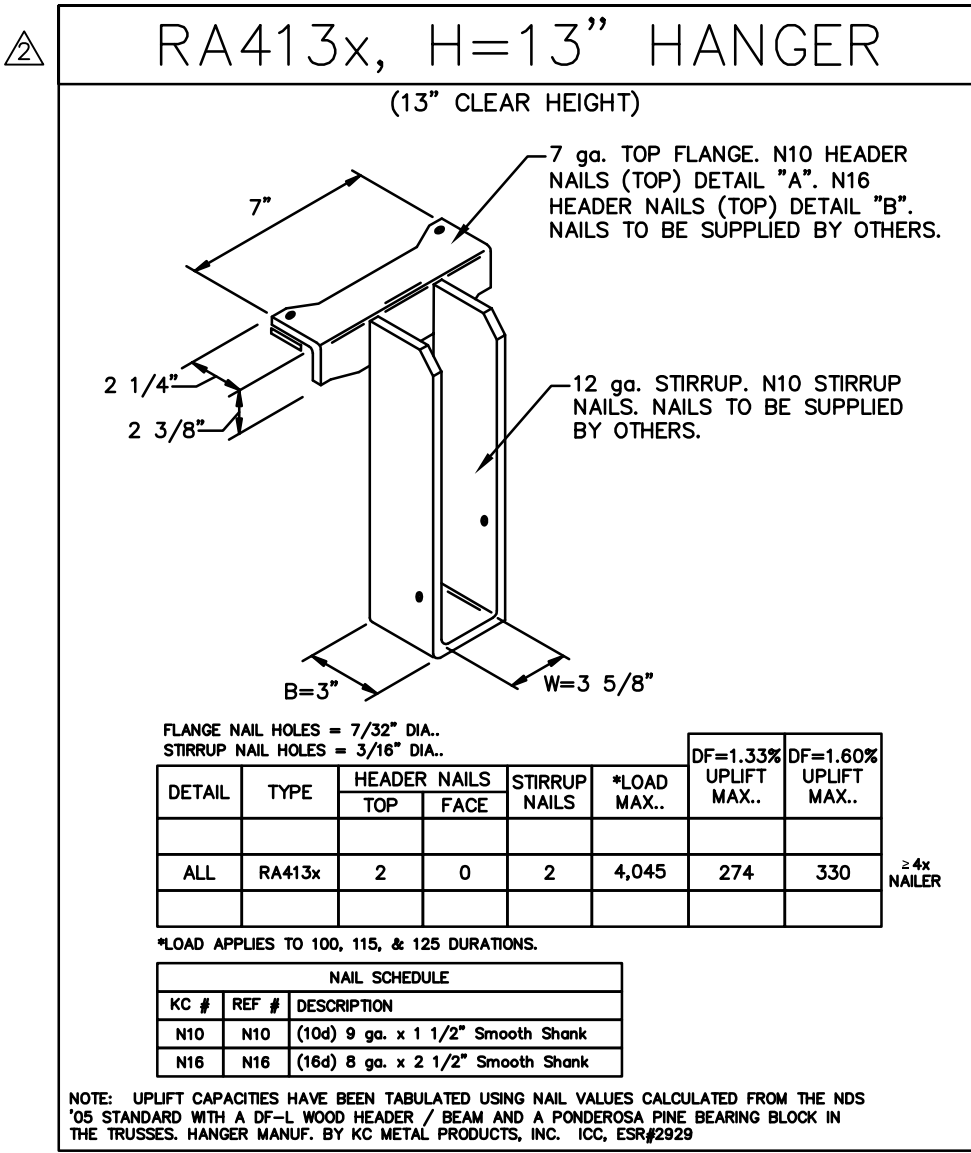


**WARNING:**  
 Drilling, sawing, sanding or machining wood products generates wood dust and other substances known to the State of California to cause cancer. Avoid inhaling dust generated from wood products or use a dust mask or other safeguards for personal protection.  
 Wood products emit chemicals known to the State of California to cause birth defects or other reproductive harm.



DATE: 08/24/15

REVISIONS	PER	COMMENTS
1	11/10/15	PER EOR COMMENTS
2	11/30/15	
3	4/11/16	per revised mechanical locations

**DiSTEFANO CHEESE**  
 1485 E. THIRD STREET  
 POMONA, CALIFORNIA

ENGINEER: G2 NATIONAL, LLC  
 ENGINEER NO: E28-2324502  
 ARCHITECT: MICHAEL DOUGLASS DESIGN ASSOCIATES  
 ARCHITECT NO: 952-432-9748  
 CUSTOMER: AMORT CONSTRUCTION  
 CUSTOMER NO: 714-998-2401

**G2 NATIONAL**  
 Evolution in WoodFramed Structure.  
 G2 NATIONAL, LLC  
 2155 GREEN VISTA DRIVE # 212 SPARKS, NEVADA 89431.

NOTE: ALL TRUSSES TO BE FLUSH FRAMED IN HGRS, ADJUST BEAM ELEVATIONS AS REQ'D

NOTE: ROTATE AND RESIZE ROOF DRAINS AS REQ'D TO FIT BETWEEN TYP SPACED JOISTS

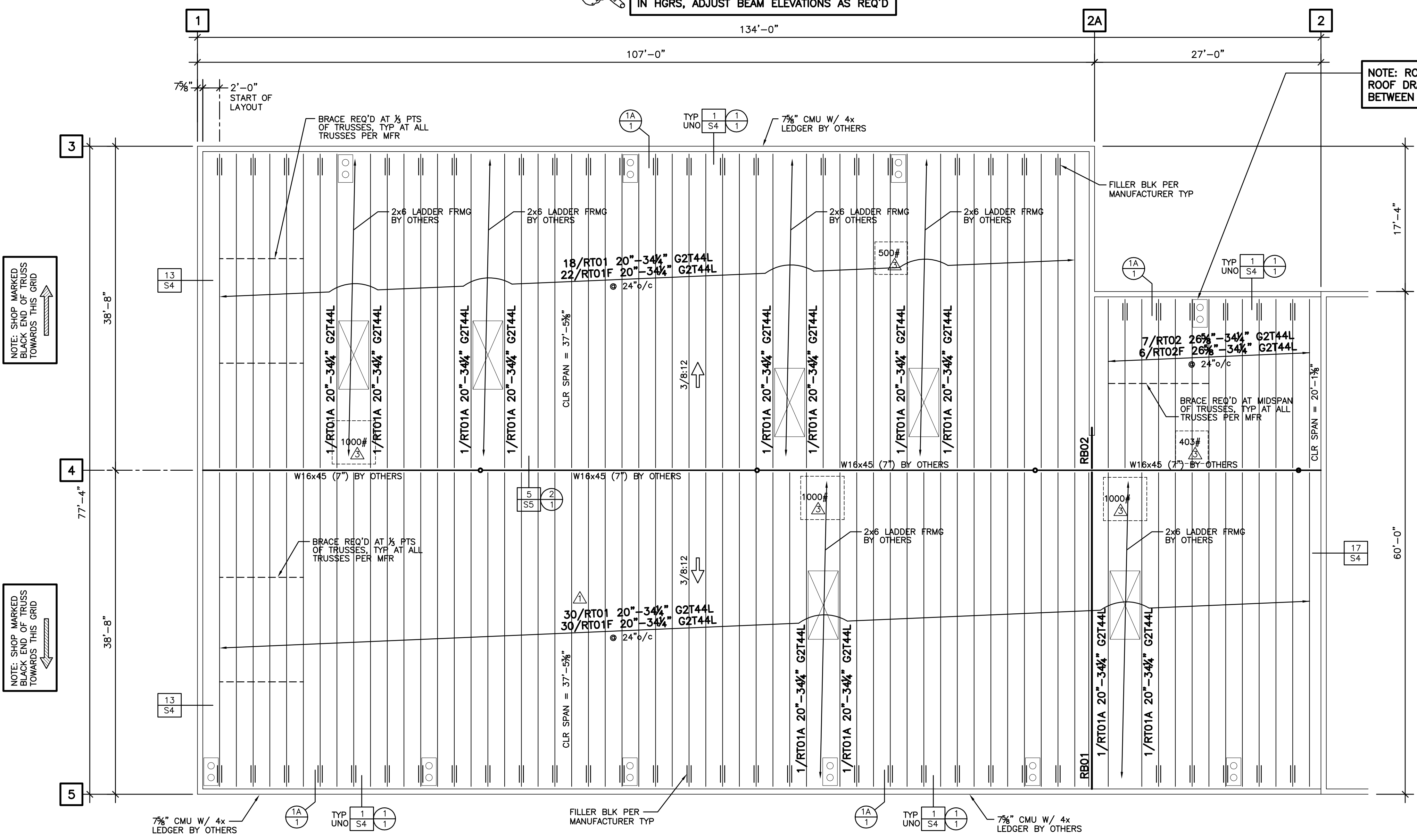
PROJECT PLANS USED:	
SHEETS	DATE
ARCHITECTURAL DRAWINGS A1 THRU A5	NOT DATED
STRUCTURAL DRAWINGS S1 THRU S5	01/03/15
MECHANICAL DRAWINGS	NONE PROVIDED

DESIGN LOADS	
LIVE LOAD	20 PSF
PART LOAD	- PSF
DEAD LOAD	15 PSF
TOTAL LOAD	35 PSF

DESIGN DEFLECTION:  
 $\Delta_{LL} \leq L/360$      $\Delta_{TL} \leq L/240$   
 LOAD DURATION FACTOR = 1.25

**WARNING:**  
 Drilling, sawing, sanding or machining wood products generates wood dust and other substances known to the State of California to cause cancer. Avoid inhaling dust generated from wood products or use a dust mask or other safeguards for personal protection.  
 Wood products emit chemicals known to the State of California to cause birth defects or other reproductive harm.

DATE	REVISIONS
08/24/15	1 11/01/15 PER EOR COMMENTS
	2 11/30/15
	3 4/11/16 per revised mechanical locations



ROSEBURG FOREST PRODUCTS 2.0 LVL ESR-1210				
QTY	MARK	WIDTH	DEPTH	LENGTH
1	RB01	3 1/2	11 7/8	39'-0"
1	RB02	3 1/2	11 7/8	6'-0"

PLYWOOD EDGE BLOCKS			
QTY	MARK	DESCRIPTION	LENGTH
980	RPEB1	3 X 4 NOM. W/ Z-CLIPS BOTH ENDS	1'-8 1/4"
65	RPEB2	3 X 4 NOM. W/ Z-CLIP ONE END	1'-8 1/4"
65	RZC01	LOOSE Z-CLIPS	

MISC. MATERIAL LIST		
ITEM	QTY	USE
RA413X H=13" HGRS	253	STD G2T HANGERS
2x4 B/C BRACING	560 LF	STD G2T B/C BRACING (SEE DETAIL)

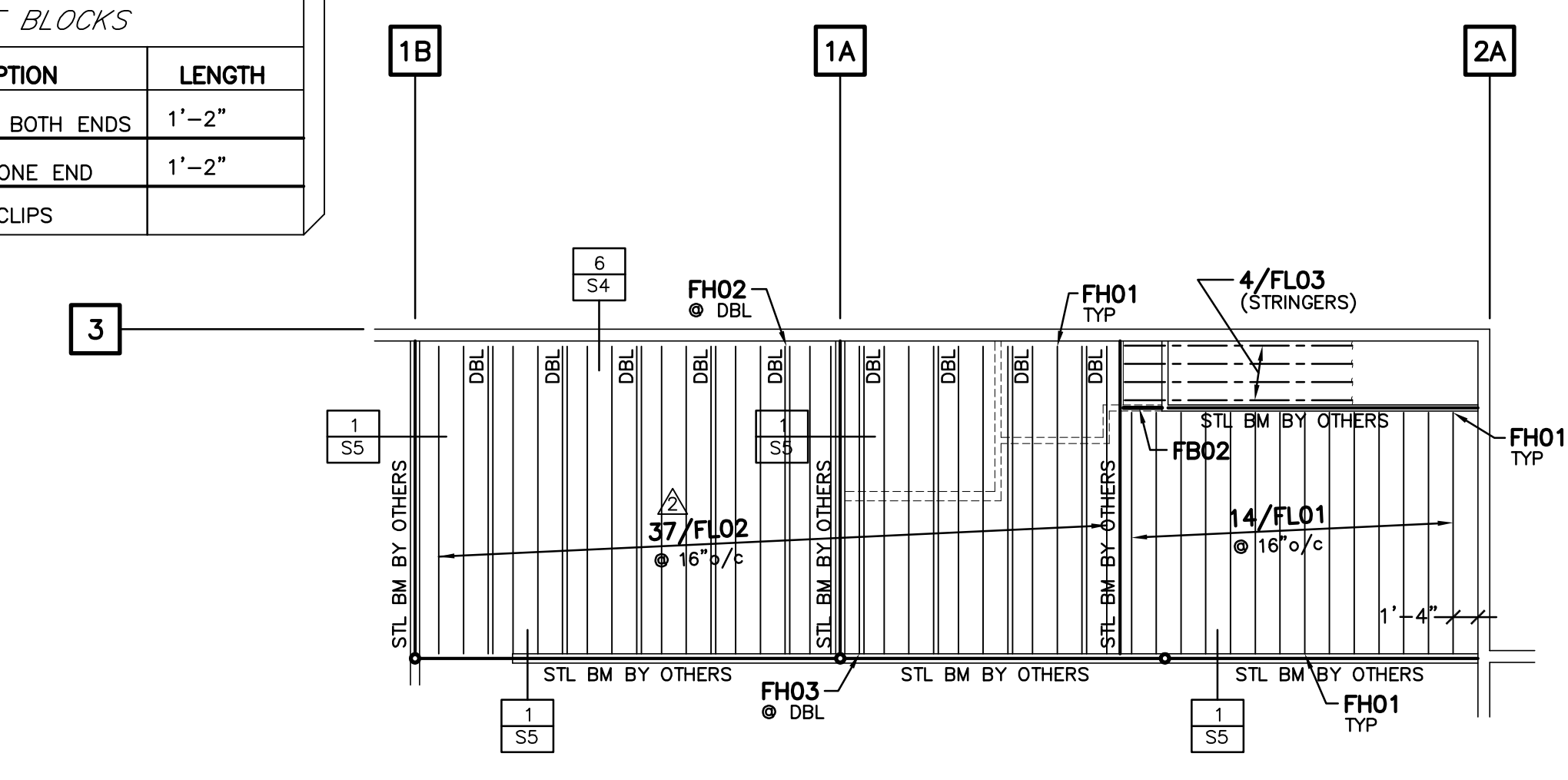
G2T TRUSS LIST						
MARK	QTY	CLR SPAN	MFR LENGTH	DEPTH	HANGER (BLACK END)	HANGER (OTHER END)
RT01	48	37'-5 3/8"	37'-4 3/4"	20"-34 1/2" G2T44L	RA413X H=13" HGRS	RA413X H=13" HGRS
RT01F	52	37'-5 3/8"	37'-4 3/4"	20"-34 1/2" G2T44L	RA413X H=13" HGRS	RA413X H=13" HGRS
RT01A	12	37'-5 3/8"	37'-4 3/4"	20"-34 1/2" G2T44L	RA413X H=13" HGRS	RA413X H=13" HGRS
RT02	7	20'-1 3/8"	20'-0 3/4"	26 1/2"-34 1/2" G2T44L	RA413X H=13" HGRS	RA413X H=13" HGRS
RT02F	6	20'-1 3/8"	20'-0 3/4"	26 1/2"-34 1/2" G2T44L	RA413X H=13" HGRS	RA413X H=13" HGRS

ROOF FRAMING PLAN (REF: S3) SCALE: 1/8" = 1'-0"

ROSEBURG FOREST PRODUCTS 2.0 LVL ESR-1210				
QTY	MARK	WIDTH	DEPTH	LENGTH
1	FB02	3 1/2	9 1/2	3'-0"
14	FL01	1 3/4	9 1/2	14'-0"
37	FL02	1 3/4	9 1/2	17'-0"
4	FL03	1 3/4	14	20'-0"

PLYWOOD EDGE BLOCKS			
QTY	MARK	DESCRIPTION	LENGTH
84	FPEB1	3 X 4 NOM. W/ Z-CLIPS BOTH ENDS	1'-2"
96	FPEB2	3 X 4 NOM. W/ Z-CLIP ONE END	1'-2"
96	FZC01	LOOSE Z-CLIPS	

KC METALS CONNECTORS ESR-2930					
QTY	MARK	DESCRIPTION	NAILING		REMARKS
			HEADER	JOIST	
68	FH01	TR259.5	6-10d	2-10d x 1 1/2	SINGLE
9	FH02	RI49.5	2-16d	2-10d x 1 1/2	DBL
9	FH03	TR49.5	6-10d	2-10d x 1 1/2	DBL



MEZZANINE FRAMING PLAN (REF: S3) SCALE: 1/8" = 1'-0"

NOTE:  
 REFERENCE MANUFACTURERS PRODUCT GUIDE FOR PRODUCT INSTALLATION AND ADDITIONAL INFORMATION.

**DiSTEFANO CHEESE**  
 1485 E. THIRD STREET  
 POMONA, CALIFORNIA

REVISED FOR CONSTRUCTION

ENGINEER: GSN, LLC  
 628-234-6302  
 ARCHITECT: MICHAEL DOUGLASS DESIGN ASSOCIATES  
 952-432-9748  
 CUSTOMER: AMORT CONSTRUCTION  
 714-998-2401

**G2 NATIONAL**  
 Evolution in Wood-Framed Structure.  
 G2 NATIONAL U.S. 2715 GREEN VISTA DRIVE # 212 SPARKS, NEVADA 89431.